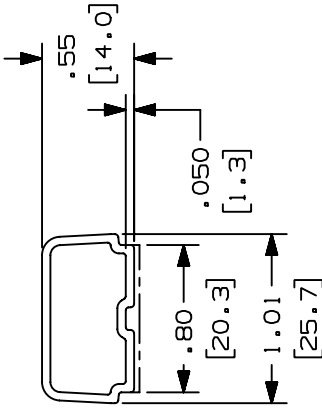


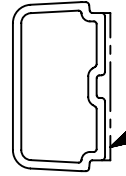
THIS COPY IS PROVIDED ON A RESTRICTED BASIS AND IS NOT TO BE USED IN ANY WAY DETRIMENTAL TO THE INTERESTS OF PANDUIT CORP.

A



B

- NOTES:**
- SEE CURRENT CATALOG FOR ADDITIONAL PART NUMBER SUFFIXES TO INDICATE COLORS AND OR PACKAGE QUANTITY.
 - PART IS DESIGNED TO SUPPORT MAXIMUM WEIGHT ON A CLEAN, DRY, SMOOTH SURFACE.
 - TO APPLY PART:
 - REMOVE PROTECTIVE LINER.
 - PLACE PART IN DESIRED LOCATION.
 - APPLY PRESSURE TO FLAT SURFACE OF PART.
 - DIMENSIONS IN PARENTHESES ARE IN METRIC.
 - NO WARRANTY, EXPRESSED OR IMPLIED, IS MADE BY PANDUIT WITH RESPECT TO ADHESIVE BOND PERFORMANCE. THE CONDITIONS UNDER WHICH THESE RACEWAYS MAY BE APPLIED AND/OR THE SURFACE TO WHICH THEY MAY BE APPLIED ARE BEYOND PANDUIT'S CONTROL.



ADHESIVE BACK PRESSURE SENSITIVE FOAM TAPE .040(1.0) THICK WITH PROTECTIVE LINER.

| PART NAME | PANDUIT PART NO. (** SEE NOTE 1) | LENGTH IN. (MM) | STATIC LOAD (SEE NOTE 2) | APPROXIMATE WEIGHT |
|-----------------|----------------------------------|---------------------------|--------------------------|-----------------------|
| SOLID WALL DUCT | LD55**10-A | 120.00 ±.12 (3048.0 ±3.0) | .43 LB/IN (7.7 g/mm) | .082 LB/FT (.12 g/mm) |

C

CAD FILENAME/LAYERS D35541CN_SOLID_LD55_02.PRT

| REV | | DATE | BY | CHK | DESCRIPTION | ECN | CHK | CUST | SUP |
|-------------|----------|------|------|------|---|----------|------|------|-----|
| 2 | 03-08-04 | JHEP | RGRO | RGRO | C. REMOVED PART NUMBER LD55**2-A | 35541-40 | RGRO | RGRO | |
| 1 | 09-17-98 | PM | HIW | HIW | B. REVISE NOTES A. REVISE CHART: ADD 2M LENGTH | 35541-40 | HIW | HIW | |
| R | 09-24-98 | JBA | CEF | CEF | RELEASED TO PRODUCTION | 35541-40 | CEF | CEF | |
| DESCRIPTION | | | | | | ECN | CHK | CUST | SUP |

| | | |
|---|--|---|
| UNLESS OTHERWISE SPECIFIED, DIMENSIONAL TOLERANCES ARE: (.X) ± (.XXX) ±.010 (.4) (.XX) ±.03 (.8) ANGLES ± | | UNLESS OTHERWISE SPECIFIED, ALL DIMENSIONS ARE GIVEN IN INCHES, THIRD ANGLE PROJECTION. |
| DRAWN BY JBA | MAT'L: RIGID PVC (POLYVINYL CHLORIDE) | SCALE NONE |
| DATE 09-24-98 | CHECKED BY CEF | DRAWING NO. 35541-40 |
| | | DWG SIZE A |

| | | |
|------------------------|--|-------------------------------------|
| PANDUIT | | PANDUIT CORP. TINLEY PARK, ILLINOIS |
| SOLID WALL DUCT (LD55) | | CUSTOMER DRAWING |